



**Mechanical Products Company**

# SERIES 32

RAISING THE BAR  
MP - COUNT ON IT

**Type I, II & III Circuit Breakers**

**3 - 50 Ampere**

**Auto, Modified & Manual Reset**

**Ignition Protected**

**Black Reset Button**

**Amp Rating Color Code  
Between Terminals**

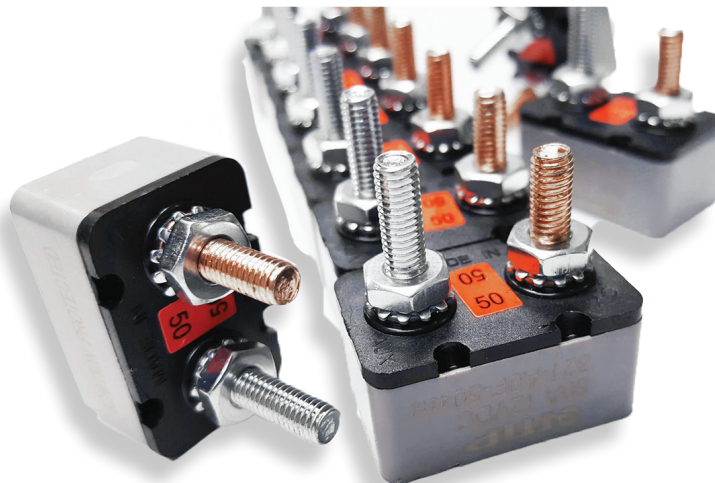


**SUPERIOR CIRCUIT PROTECTION**

[www.mechprod.com](http://www.mechprod.com)

## Series 32 Features

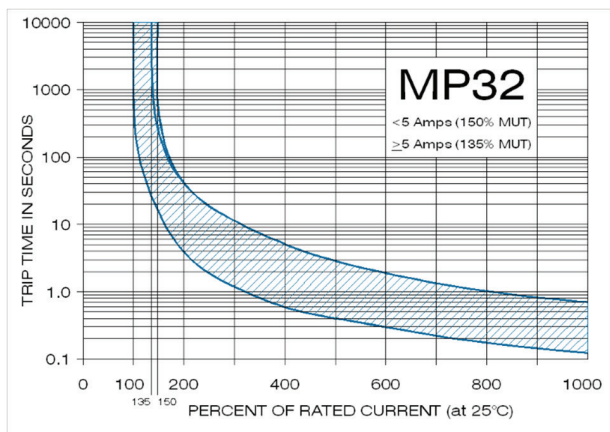
- 3 to 50 Ampere
- SAE Type I, II, & III Circuit Breakers
- Auto, Modified & Manual Reset
- Ignition Protected
- Black Reset Button
- Amp Rating Color Code Between Terminals



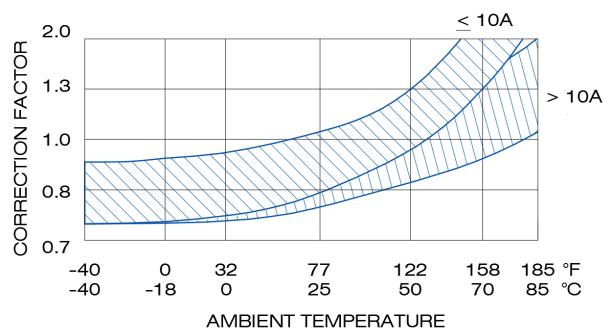
## Series 32 Specifications

<b>Standard Amp Ratings</b>	3, 4, 5, 6, 8, 10, 15, 20, 25, 30, 35, 40, 50 Amp
<b>Rated Voltage</b>	Type I & II - 14 VDC Type III - 28 VDC
<b>Dielectric Strength</b>	1,500VAC
<b>Interrupt Capacity</b>	2500A @12 VDC
<b>Overload Reset Capacity</b>	6x rated current
<b>Operating Temperature</b>	-40 to +85°C
<b>Terminations</b>	#10-32 Thread Options
<b>Terminal Torque</b>	24in-lb max.
<b>Regulatory</b>	Complies with SAE Standard J553 & J1171 (Ignition Protected) Ingress Protection: IP66 (MS & PS covers only) ROHS Compliant

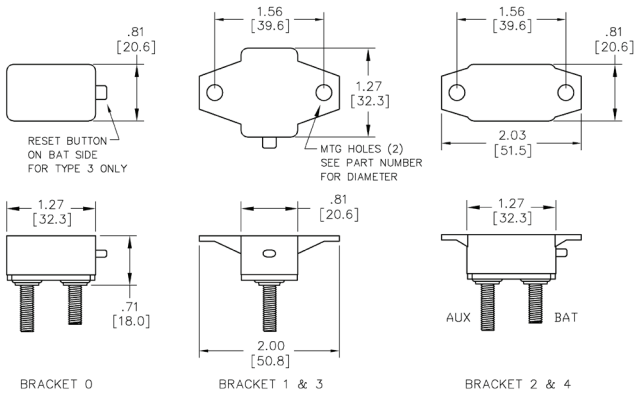
## Typical Trip Curve



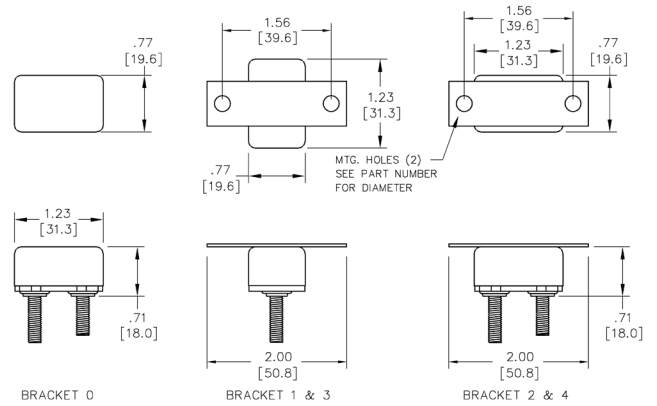
## Ambient Temperature Correction



## Series 32 Physical Configuration



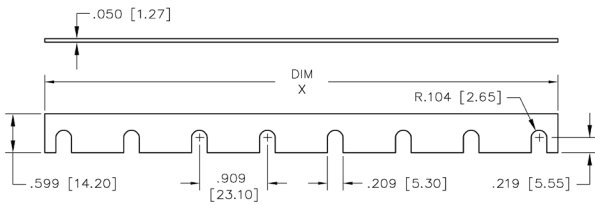
Type 1 & 3 - Plastic Cover



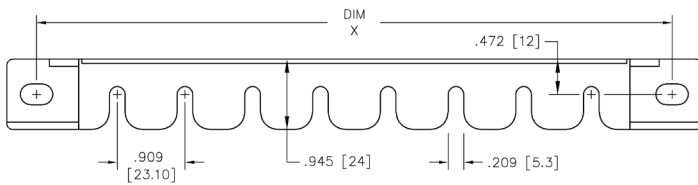
Type 1 & 2 - Metal Cover

## Series 32 Accessories

- Protective Boot
- Copper busbar 4 to 12 position
- Nylon mounting bracket 4 to 12 position

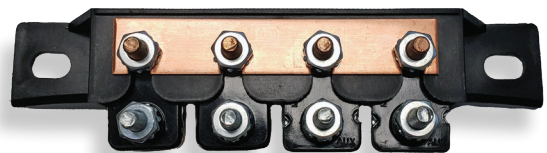
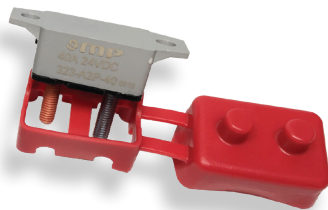


Busbar Options		
MP P/N	DIM "X"	# of Positions
320-402-2	1.41 [35.8mm]	2
320-402-4	3.23 [82.1mm]	4
320-402-6	5.05 [128.3mm]	6
320-402-8	6.87 [174.5mm]	8
320-402-10	8.69 [220.7mm]	10
320-402-12	10.51 [267.0mm]	12



Bracket Options		
MP P/N	DIM "X"	# of Positions
320-401-4	4.89 [124.2mm]	4
320-401-6	6.71 [170.4mm]	6
320-401-8	8.53 [216.7mm]	8
320-401-10	10.35 [262.9mm]	10
320-401-12	12.169 [309.1mm]	12

p/n 32-BR = Boot, Red



p/n 320-401-4 & 320-402-4

# Series 32 Part Numbering Guide



**Series Number**

32 = Series 32 Circuit Protector

**Type**

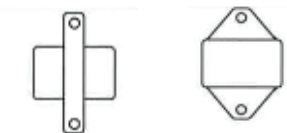
- 1 = Type 1 (I), Auto-Reset, 14VDC
- 2 = Type 2 (II), Modified Reset, 14VDC
- 3 = Type 3 (III), Push to Reset, 28VDC

**Terminal Studs**

- A = Two #10-32 studs;  
Length .66 [16.8] AUX .56 [14.2] BAT
- B = Two #10-32 studs;  
Length .56 [14.2] AUX & BAT
- C = Two #10-32 studs;  
Length .66 [16.8] AUX & BAT

**Bracket**

- 0 = No Mounting Bracket
- 1 = Perpendicular, .23 Mtg Holes
- 2 = Parallel, .23 Mtg Holes
- 3 = Perpendicular, .265 Mtg Holes
- 4 = Parallel, .265 Mtg Holes



Bracket 1 & 3



Bracket 2 & 4

Metal

Plastic

**Terminal Hardware**

- 0 = None
- A = Two #10-32 KEPS Nuts, Assembled
- B = Two #10-32 KEPS Nuts, Bulk

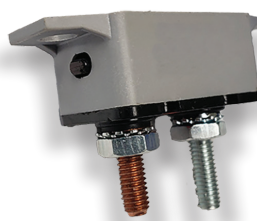
**Amp Ratings**

- |                     |                      |
|---------------------|----------------------|
| 03 = 3 Amp / Violet | 20 = 20 Amp / Yellow |
| 04 = 4 Amp / Pink   | 25 = 25 Amp / Gray   |
| 05 = 5 Amp / Tan    | 30 = 30 Amp / Green  |
| 06 = 6 Amp / Green  | 35 = 35 Amp / Brown  |
| 08 = 8 Amp / Brown  | 40 = 40 Amp / Orange |
| 10 = 10 Amp / Red   | 50 = 50 Amp / Red    |
| 15 = 15 Amp / Blue  |                      |

Standard Color Code between terminals

**Cover Material**

- M = Metal (Type 1 & 2 Only)
- P = Plastic (Type 1 & 3 Only)
- MS = Sealed Metal (Type 1 & 2 Only)
- PS = Sealed Plastic (Type 1)



p/n 323-A2P-XX-X  
Amp rating not specified