



SERIES 13

RAISING THE BAR
MP - COUNT ON IT

Reliable on land or sea
Economical & Compact

Push to Reset

3 to 40 AMP

Ignition Protected

Cycling Trip Free

UL1077



SUPERIOR CIRCUIT PROTECTION

www.mechprod.com

Series 13 Overview

The newest member of the Mechanical Products circuit protectors is the Series 13.

The Series 13 is an economical and compact circuit protector designed for your Equipment Protection needs in the 3-40 amp range. The MP Series 13 is suitable for a variety of applications in Household Appliances, Power Strips, Audio Visual Equipment, Marine Panels, Transportation, Medical Equipment and more.

FEATURES:

- 5 unique termination options,
- multiple hardware and boot options,
- AC/DC ratings from 3 to 40 amps,
- UL 1500 Ignition Protection

Series 13 Specifications

Standard Amp Ratings	3, 5, 6, 7, 10, 15, 20, 25, 30, 35, & 40 Amp *Consult factory for other amp ratings
Maximum Voltage Ratings	250VAC/50VDC
Minimum Ultimate Trip	Must Hold 100% at 25°C/77°F
Maximum Ultimate Trip	Must Trip at 150% of rated current within 1 hour at 25°C/77°F
UL Tripping Current	TC2
Dielectric Strength	1,500VAC Minimum
Interrupt Capacity (AIC)	1kA, 250VAC, C1 and 0.3kA, 50VDC, C1 (UL 1077)
Overload Capacity	UL OLO, 1.5x, General Use
Operating Temperature Range	-10°C/14°F to 60°C/140°F
Insulation Resistance	> 100Mohm, 500VDC
	Environmental
Ignition Protected	UL1500 (per Title 33 Chapter I, Part 183, Subparts I and J, of the CFR)
Ingress Protection (IP Rating)	Terminal area IP00, operating area IP40
Corrosion	96 hrs salt spray per MIL-STD-202, Method 101, Test Condition A
Humidity	240 hrs at 95% RH per MIL-STD-202, Method 103, Test Condition A
Regulatory Compliance	UL/cUL Recognized per UL 1077 (E66224)

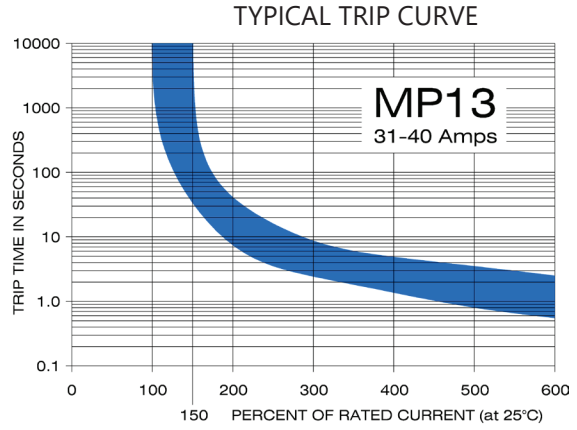
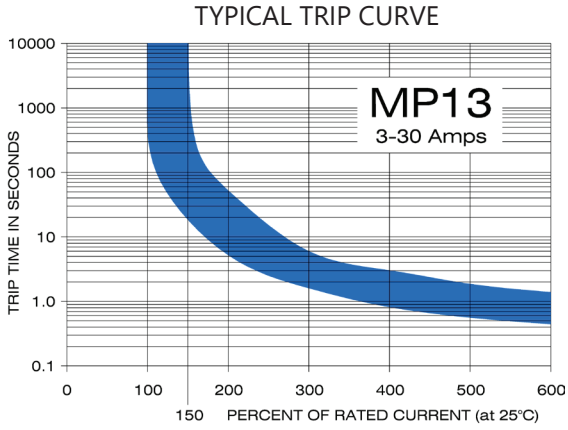
Typical Overload Trip Time (in seconds)

Amp Rating	200%	300%	400%	500%	600%
3 - 30A	5.0-28.0	1.8-5.5	0.8-3.7	0.58-1.8	0.45-1.2
31-40	7.8-40.0	3.2-7.7	1.8-4.5	0.8-3.2	0.8-2.4

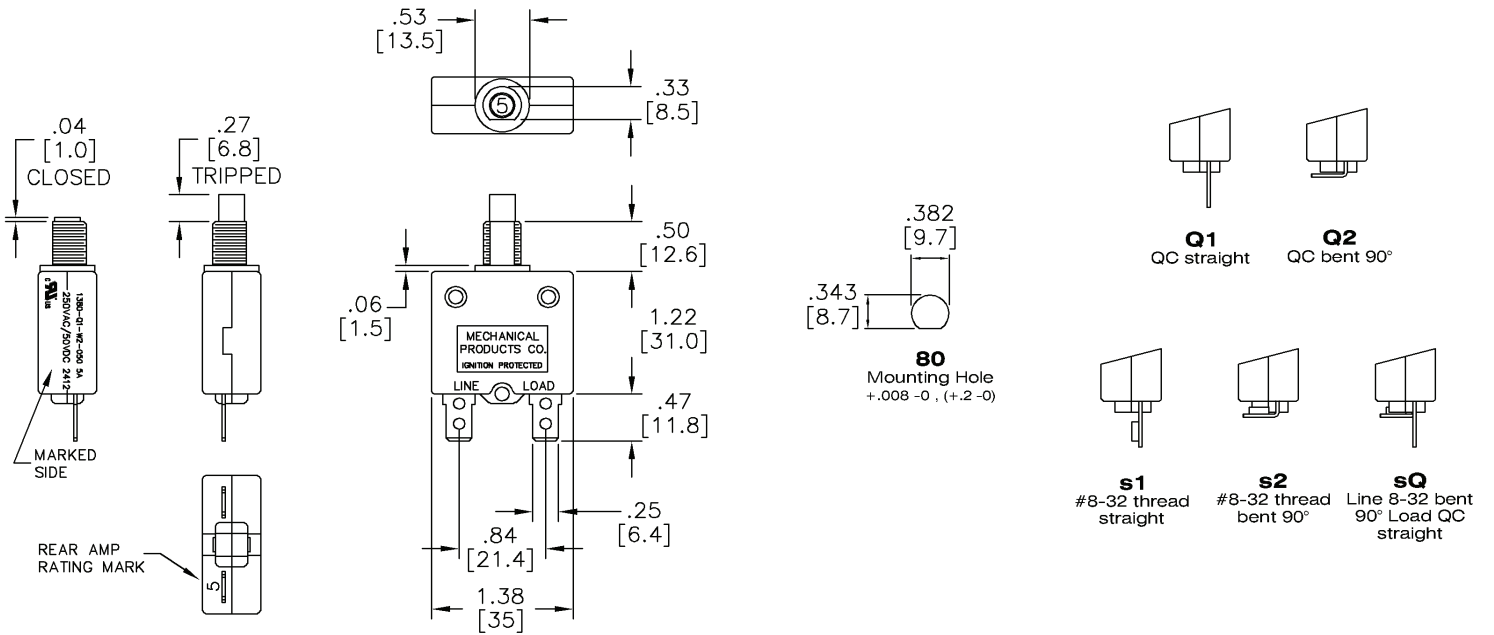
Ambient Temperature Correction Factor

Amp Rating	°F	14	32	50	77	95	104	122	140
	°C	-10	0	10	25	35	40	50	60
3 - 40A		0.77	0.83	0.91	1.00	1.06	1.18	1.37	1.47

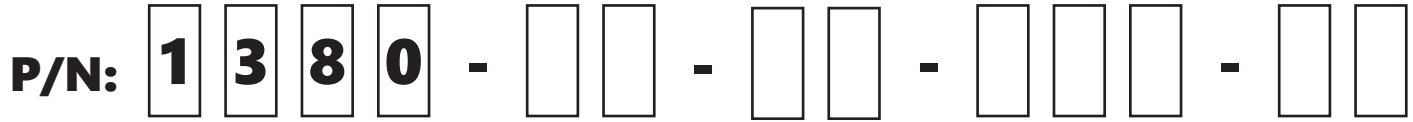




Series 13 Physical Configuration



Series 13 Part Numbering Guide



Series Number

13 = Series 13 Circuit Protector

Mounting Bushing

80 = 3/8"-27 Nylon Bushing

*Consult factory for other mounting types

Terminal Style

Q1 = 0.250" QC straight

Q2 = 0.250" QC bent 90°

S1 = #8-32, straight, screws included assembled

S2 = #8-32, bent 90°, screws included assembled

SQ = #8-32, bent 90° (line), 0.25" QC straight (load)

*Consult factory for other terminal types

Amp Ratings

030 = 3A 200 = 20A

050 = 5A 250 = 25A

060 = 6A 300 = 30A

070 = 7A 350 = 35A

100 = 10A 400 = 40A

150 = 15A

*Consult factory for other amp ratings

Mounting Hardware (Bulk packaged w/ breakers)

00 = No hardware

51 = Knurlnut & Palnut

79 = Knurlnut (Aluminum)

97 = Knurlnut (black nylon) & lockwasher

Button / Amp Stamping

B0 = Black, no amp stamp

B1 = Black, white amp stamp

B2 = Black, white amp stamp 90°

B3 = Black, white amp stamp 90°

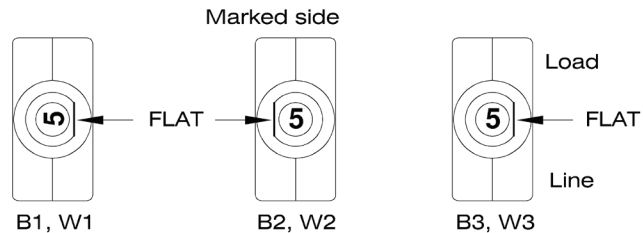
W0 = White, no amp stamp

W1 = White, black amp stamp

W2 = White, black amp stamp 90°

W3 = White, black amp stamp 90°

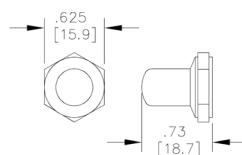
See image for stamp rotation orientation to flat



Series 13 Optional Sealing Boots

P/N 1680-318-1 3/8"-27 Boot, Clear

P/N 1680-318-2 3/8"-27 Boot, Black



1112 N. Garfield St. Lombard, IL 60148 helpme@mechprod.com
phone 630 | 953 | 4100 fax 630 | 953 | 4110 www.mechprod.com

Specifications subject to change

QC-4019-A



WARNING: Cancer & Reproductive Harm
www.p65warnings.ca.gov/